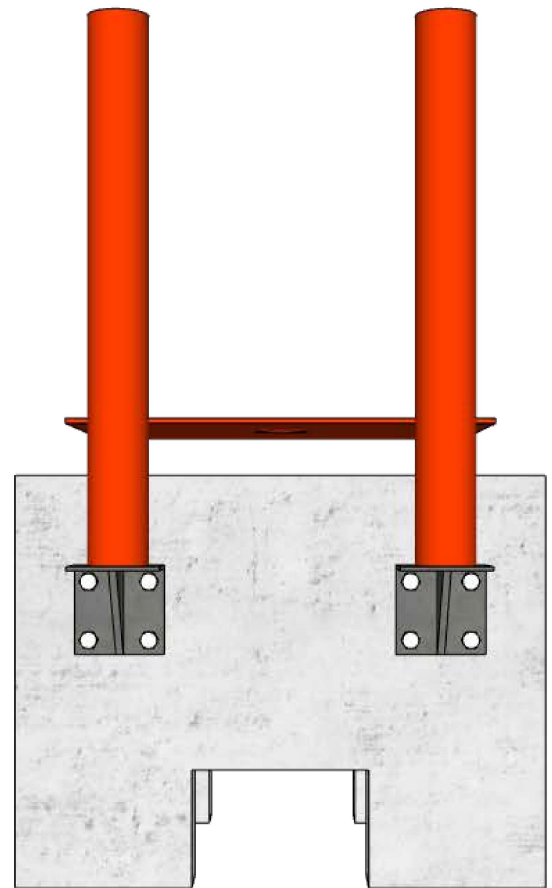


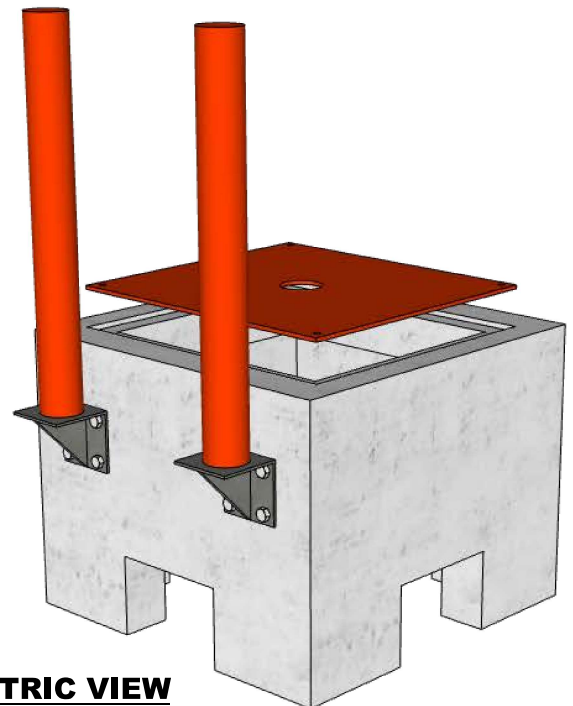
PLAN VIEW



FRONT ELEVATION

GENERAL NOTES

- ADAPTABLE STEEL 12PL
750MM X 700MM W/4" DIA.
CENTER HOLE (CAN BE COLOURED
TO PREFERENCE)
- 4 WAY CABLE DUCTING
ACCOMODATION
- FUTURE READY
- PROTECTIVE BOLLARDS



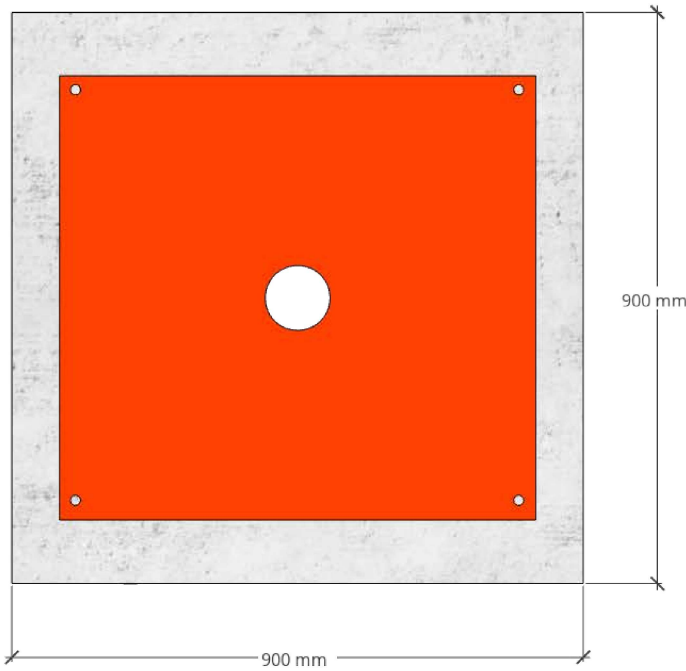
ISOMETRIC VIEW



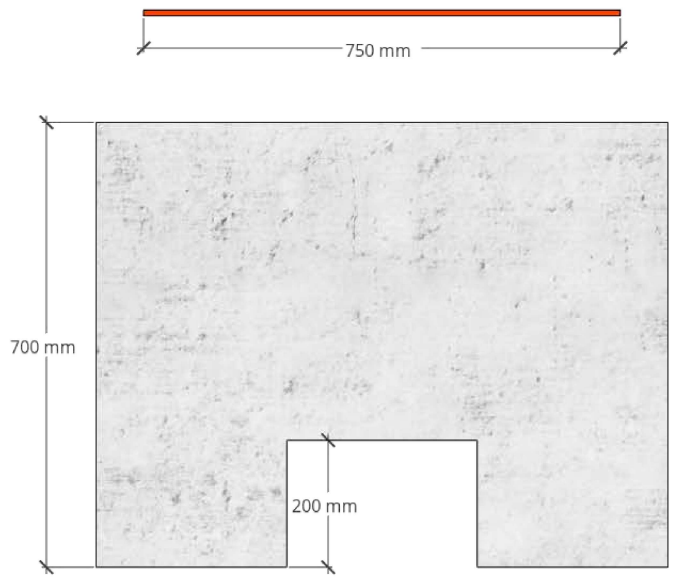
**EV CHARGER
BASE SERIES**

**EV CHARGER BASE
900 X 900 X 700**

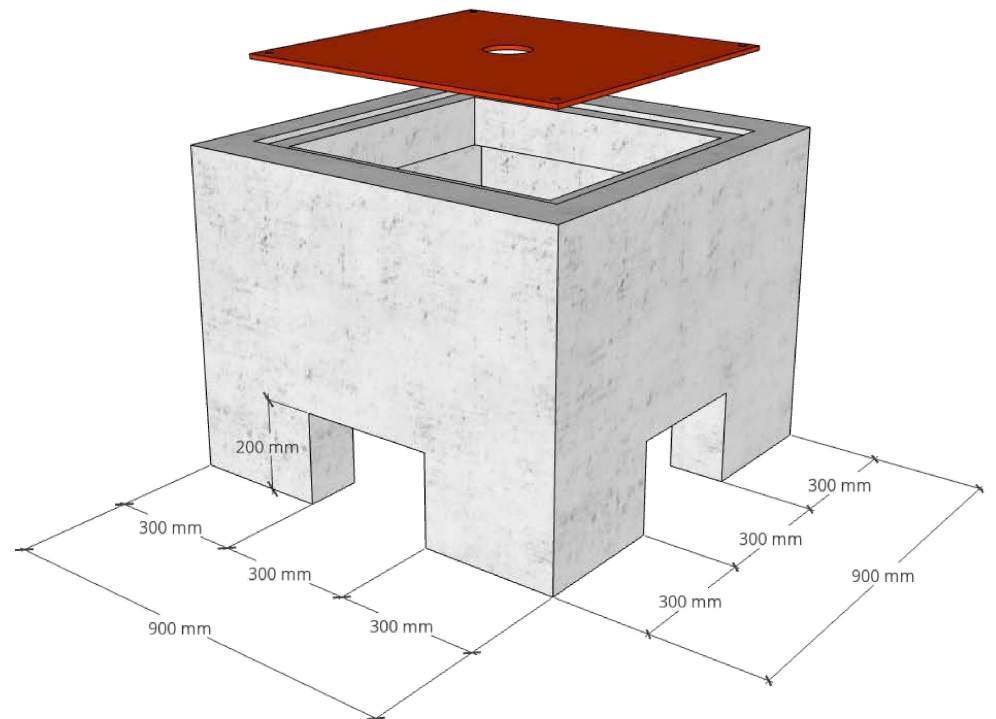
| | | | | | | |
|----------------------------|--------------------|------------------|-------------|---------------|------------|---------------|
| CONCRETE | RELEASE 15 MPa | 28 day 35 MPa | AIR 6-8% | SLUMP 75mm | TYPE 50 | DWG. NO. |
| VOLUME | SELF WEIGHT | | | | | |
| 0.38 m ³ | 1048 kg | 2311 lbs | | | | Rev. 0 |
| DATE: AUG 2023 | ODE | BY: JB | | | | |



PLAN VIEW



FRONT ELEVATION



ISOMETRIC VIEW

GENERAL NOTES

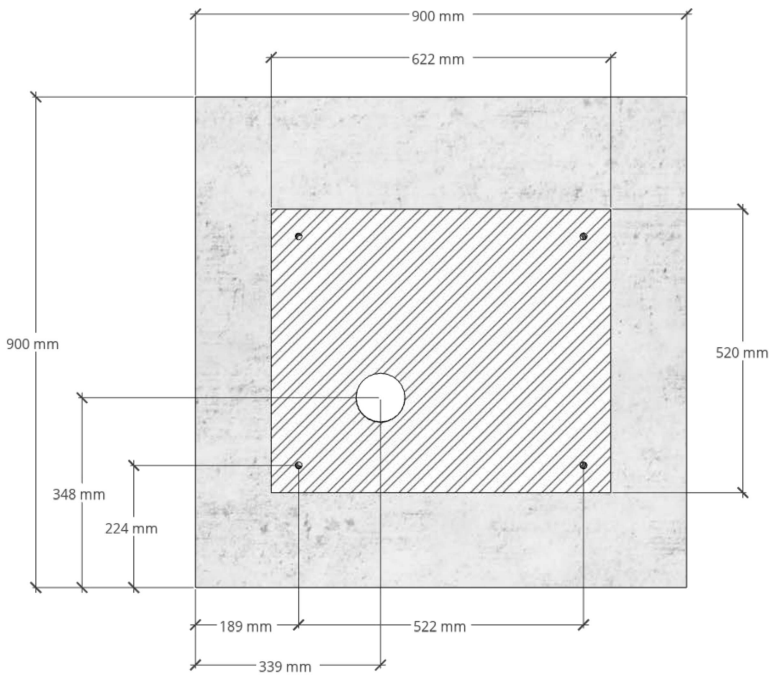
- ADAPTABLE STEEL 12PL
750MM X 700MM W/4" DIA.
CENTER HOLE (CAN BE COLOURED
TO PREFERENCE)
- 4 WAY CABLE DUCTING
ACCOMODATION
- FUTURE READY



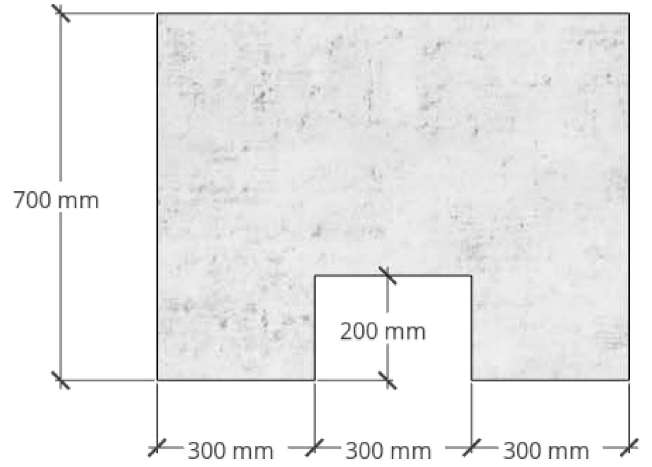
**EV CHARGER
BASE SERIES**

EV CHARGER BASE
900 X 900 X 700

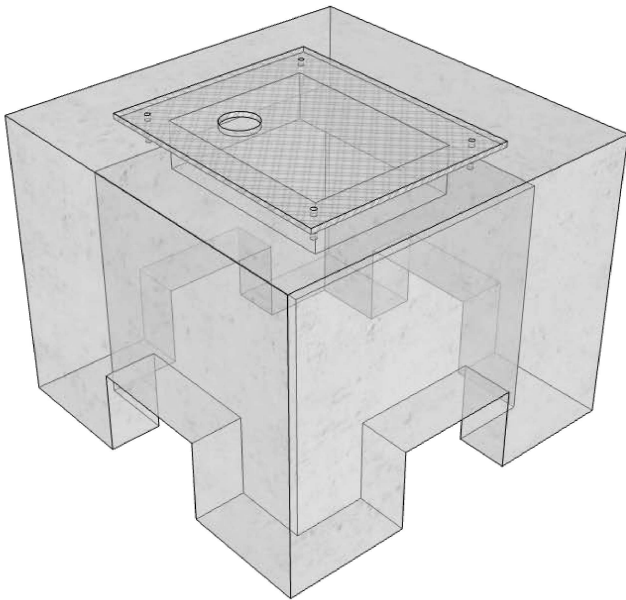
| | | | | | | |
|----------------------------|--------------------|------------------|-------------|---------------|------------|---------------|
| CONCRETE | RELEASE 15 MPa | 28 day 35 MPa | AIR 6-8% | SLUMP 75mm | TYPE 50 | DWG. NO. |
| VOLUME | SELF WEIGHT | | | | | |
| 0.38 m ³ | 952 kg | 2100 lbs | | | | |
| DATE: JULY 2023 | ODE | BY: JB | | | | Rev. 0 |



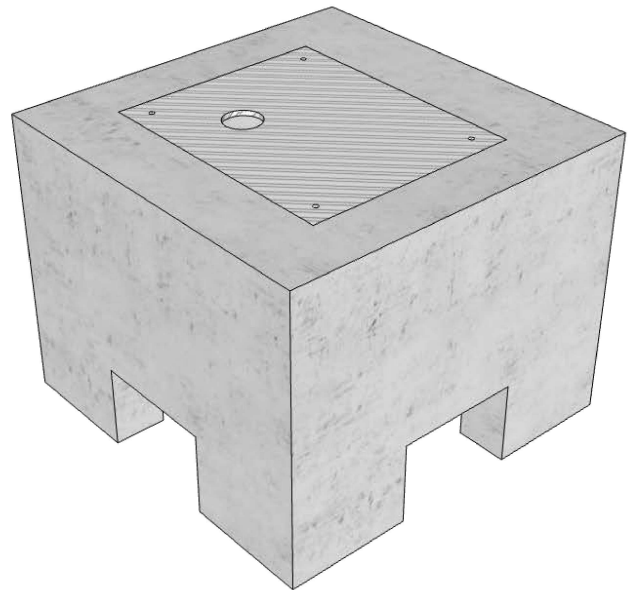
TOP



FRONT



XRAY



PERSPECTIVE

westcon
precast inc.

**EV CHARGER
BASE**
900X900X700

| | | | | | | |
|------------------------|--------------------|---------------|----------|------------|---------|---------------|
| CONCRETE | RELEASE 15 MPa | 28 day 35 MPa | AIR 6-8% | SLUMP 75mm | TYPE 50 | DWG. NO. |
| VOLUME | SELF WEIGHT | | | | | |
| | m ³ | kg | lbs | | | Rev. 0 |
| DATE: JULY 2023 | ODE | BY: JB | | | | |