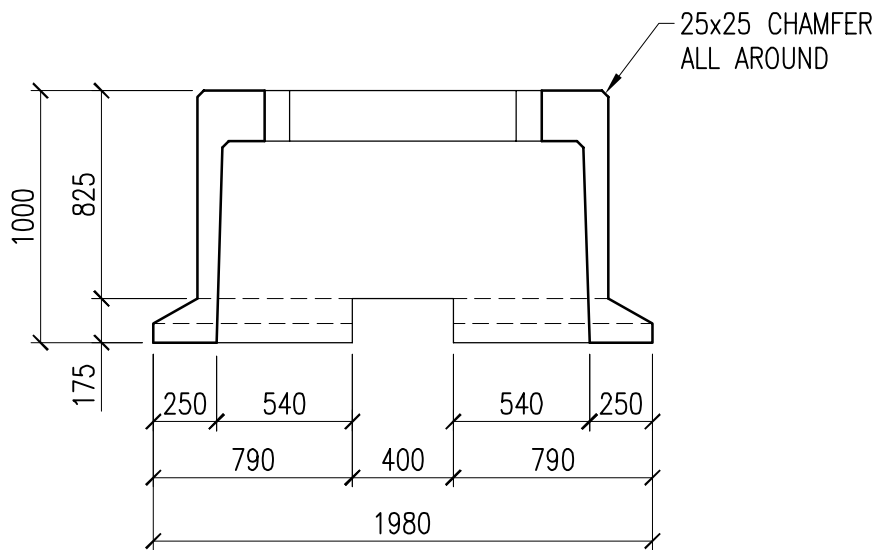


PLAN



SECTION A

westcon
precast inc.

75-500 kVA Pad

CONCRETE	RELEASE 28 day 15 MPa / 35 MPa	AIR 6-8%	SLUMP 70mm	TYPE 50
VOLUME	SELF WEIGHT			
0.73 m ³	1800 kg	3970 lbs		
DATE: FEB. 2015	CODE: 0100	BY: CW		

DWG. NO. **W2-02**
Rev. **1**