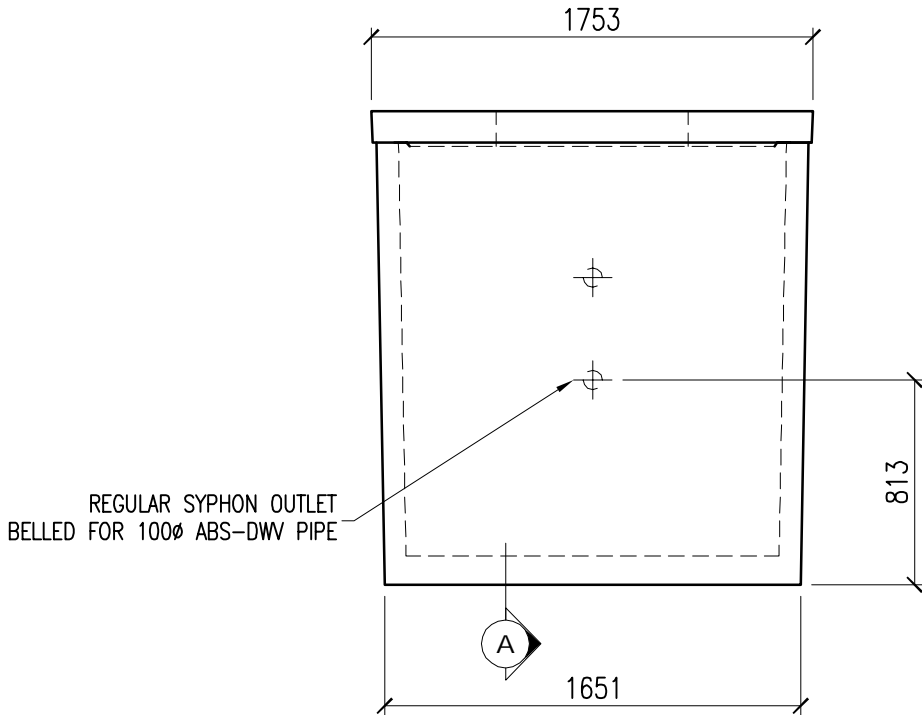


SECTION A



END VIEW

westcon
precast inc.

**M-2000
SEPTIC TANK**

CONCRETE	RELEASE 28 day 15 MPa 35 MPa	AIR 6-8%	SLUMP 70mm	TYPE 50
TANK	LID	TOTAL		
- kg	- kg	11,340 kg		
DATE: JAN. 2016	CODE: 0101	BY: CW		

DWG. NO.
W3-07
Rev. **O**