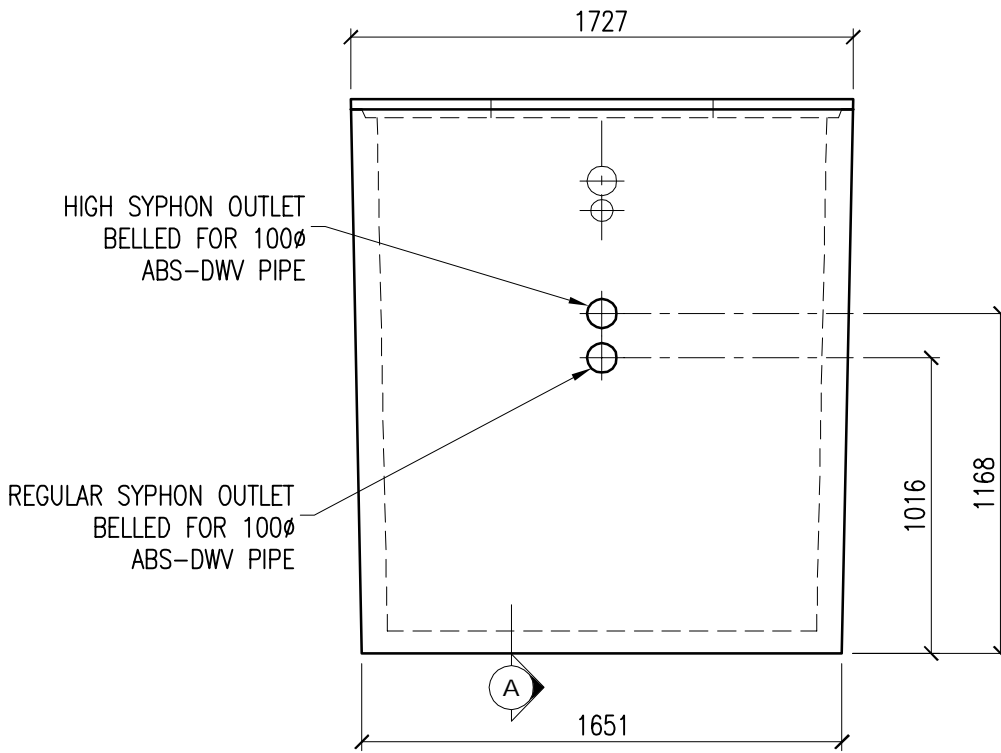


SECTION A



END VIEW

westcon
precast inc.

**M-1000
SEPTIC TANK**

CONCRETE	RELEASE 28 day 15 MPa	35 MPa	AIR 6-8%	SLUMP 70mm	TYPE 50
TANK	LID		TOTAL		
- kg	- kg		5400 kg		
DATE: JAN. 2016	CODE: 0103	BY: CW			

DWG. NO.
W3-03
Rev. **O**