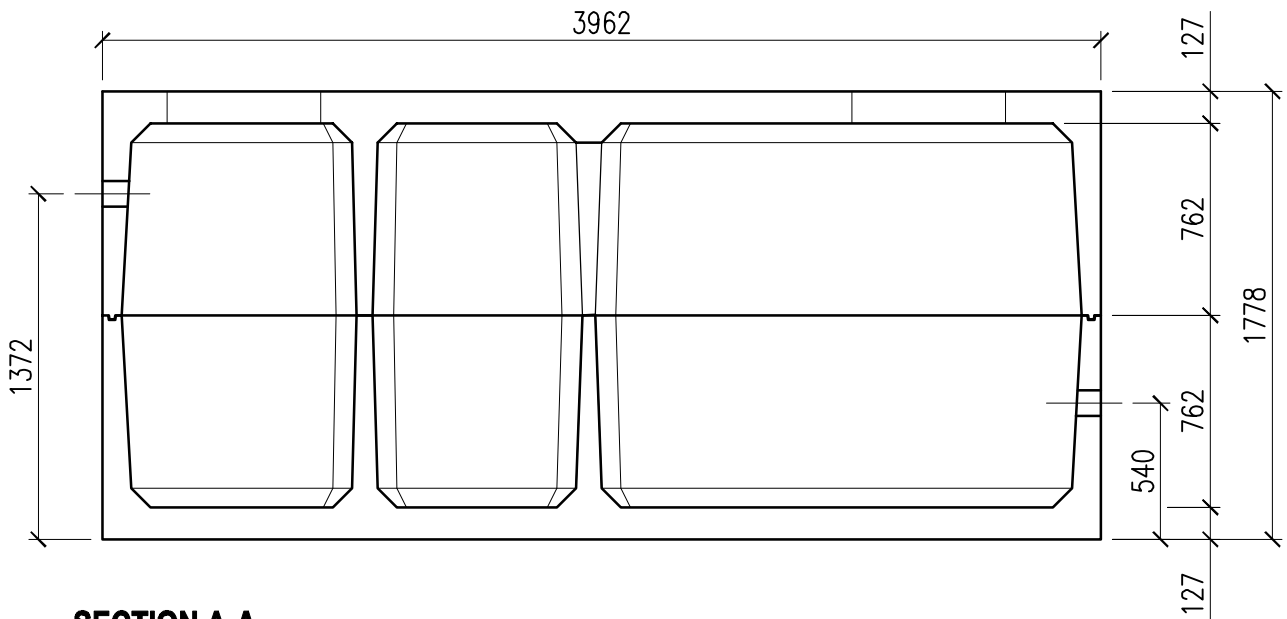


**PLAN VIEW**



**SECTION A-A**

**westcon**  
precast inc.

**M2500**  
**SEPTIC TANK**

CONCRETE	RELEASE 28 day 15 MPa 35 MPa	AIR 6-8%	SLUMP 70mm	TYPE 50
TANK	LID	TOTAL		
- kg	- kg	8165 kg		
DATE: JAN. 2016	CODE: 0101	BY: CW		

DWG. NO.  
**W3-10**

Rev. **O**