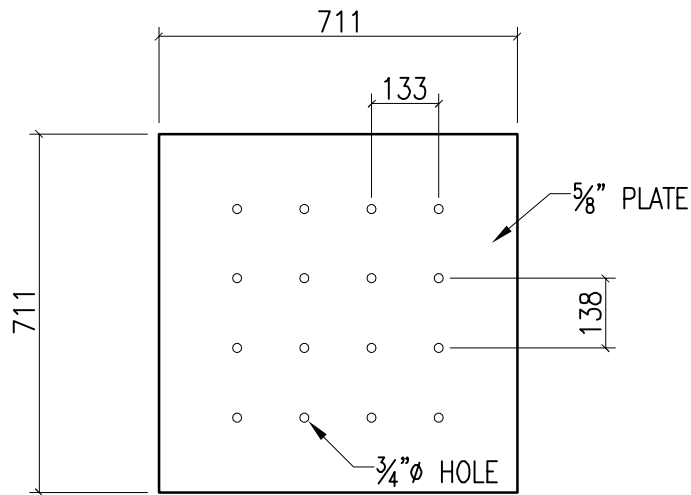


SUMP LID (SOLID)



PERFORATED SUMP LID

NOTE: 5/8" PLATE DESIGNED FOR H2O LOADING
FINISH POWDER COAT RED

westcon
precast inc.

**GARAGE SUMP
LIDS - H20**

| | | | | |
|-----------------|---------------------------------|----------|------------|---------|
| CONCRETE | RELEASE 28 day 15 MPa 35 MPa | AIR 6-8% | SLUMP 70mm | TYPE 50 |
| LOWER | UPPER | TOTAL | | |
| - kg | - kg | 65 kg | | |
| DATE: JAN. 2016 | CODE: 0100 | BY: CW | | |

DWG. NO.
W3-51

Rev. **O**