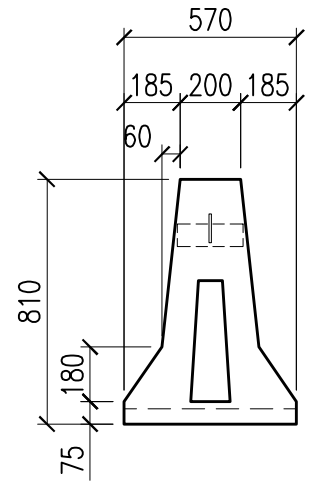
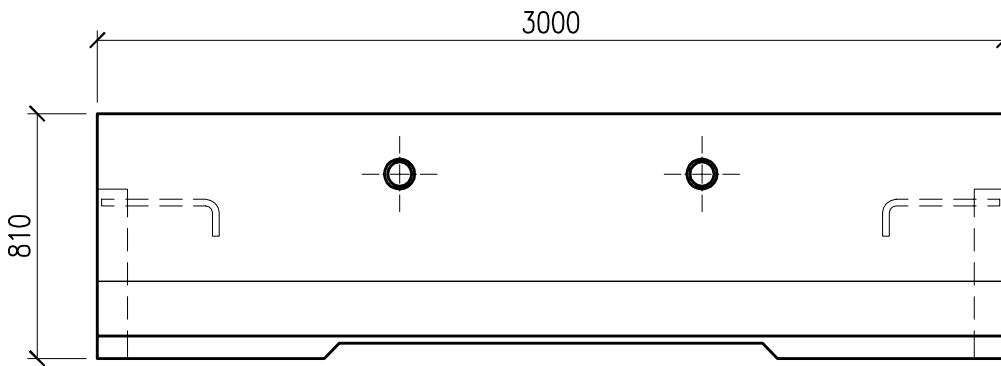


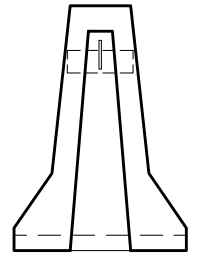
WEIGHT : 1900kg (4190 lbs)



TYP. END VIEW



WEIGHT : 1825kg (4025 lbs)



TYP. END VIEW

westcon
precast inc.

**FULL "F" STYLE
MEDIAN BARRIER
ALBERTA TRANS.**

CONCRETE	RELEASE 28 day 15 MPa 35 MPa	AIR 6-8%	SLUMP 75mm	TYPE 50	DWG. NO.
VOLUME	SELF WEIGHT		W5-07		
... m ³	... kg	... lbs			
DATE: FEB. 2015	CODE 0600	BY: CW	Rev. 0		