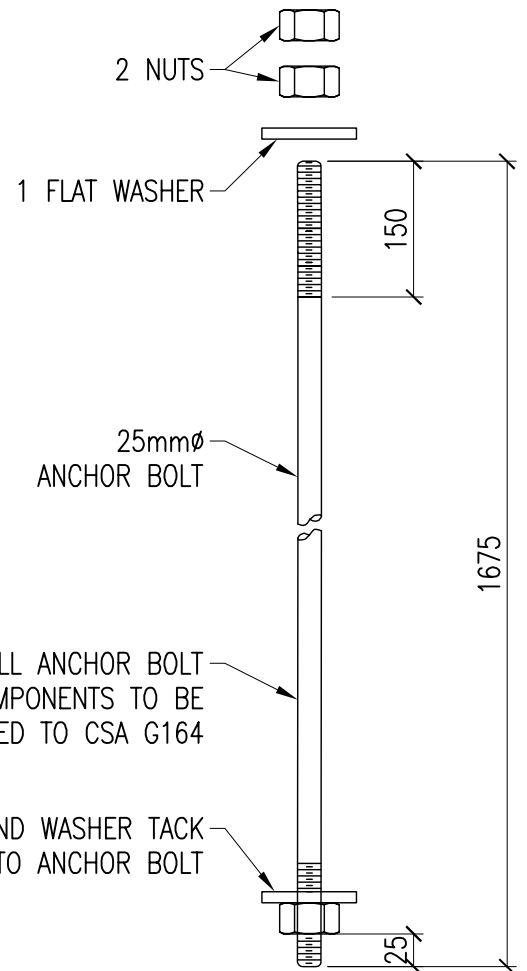
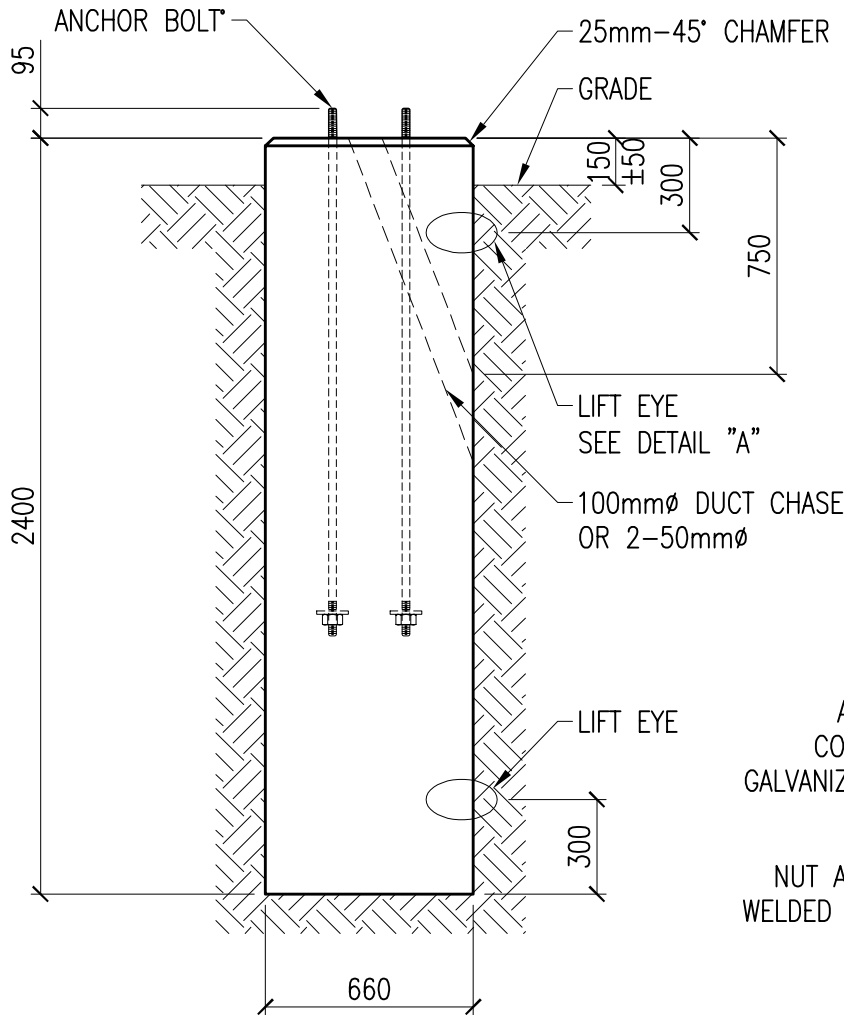


DETAIL "A"



ANCHOR BOLT DETAIL

westcon
precast inc.

**TYPE 'C' ROUND PRECAST
CONCRETE BASE**

CONCRETE	RELEASE 28 day 15 MPa 35 MPa	AIR 6-8%	SLUMP 75mm	TYPE 50	DWG. NO. W4-02
VOLUME	SELF WEIGHT				
0.83 m ³	2035 kg	4480 lbs			Rev. 0
DATE: FEB. 2015	CODE: 0008	BY: CW			