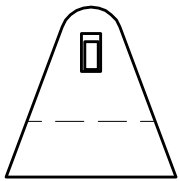
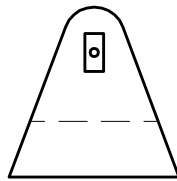


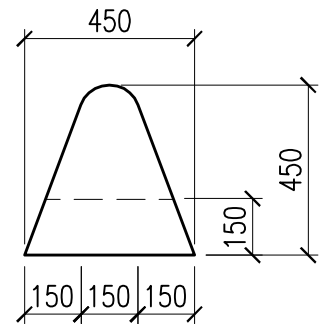
**SIDE ELEVATION**



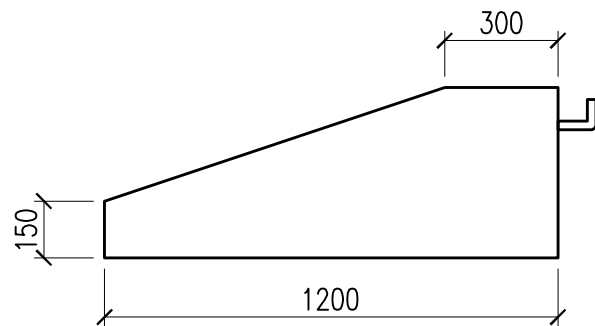
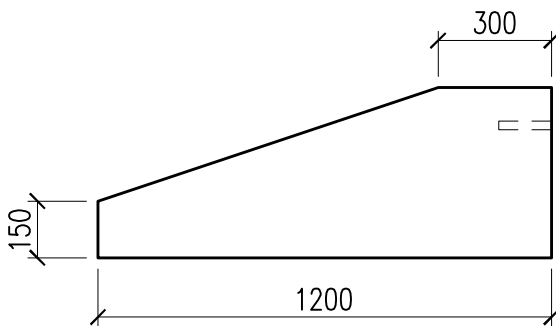
**MALE END ELEVATION**



**FEMALE END ELEVATION**



**SECTION A**



**TRANSITION**

**westcon**  
precast inc.

**TYPE A MINI  
BARRIER ALBERTA  
TRANSPORTATION**

CONCRETE	RELEASE 28 day 15 MPa 35 MPa	AIR 6-8%	SLUMP 75mm	TYPE 50	DWG. NO. <b>W5-04</b>
VOLUME	SELF WEIGHT				
0.36 m <sup>3</sup>	882 kg	1940 lbs			Rev. <b>0</b>
DATE: FEB. 2015	CODE: 1704	BY: CW			