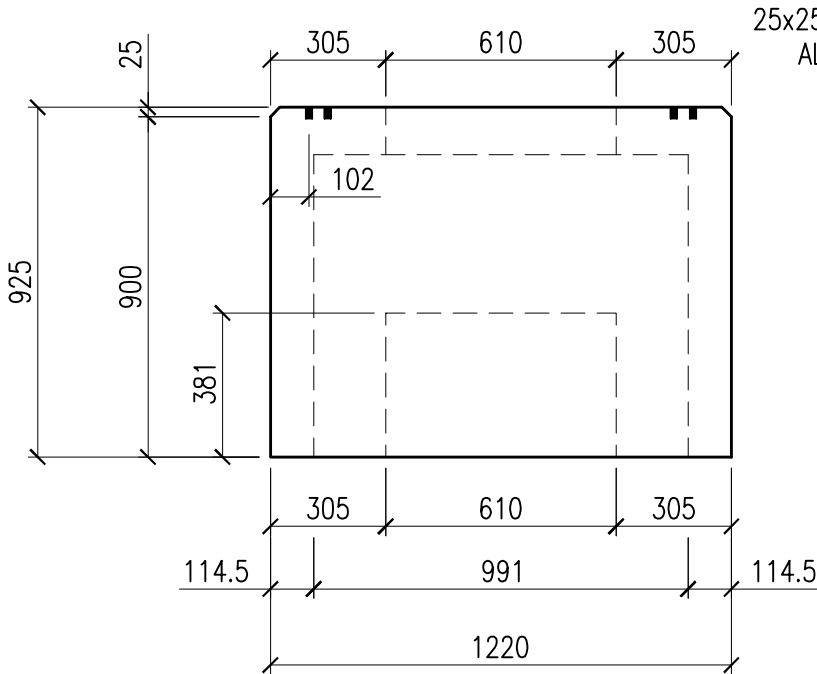
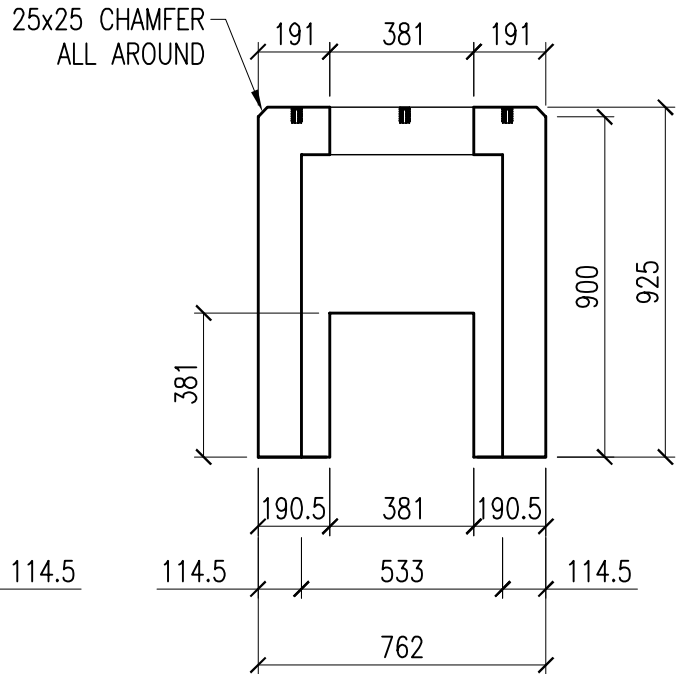


**PLAN VIEW**



**ELEVATION**



**SECTION A**

**westcon**  
precast inc.

**SM.  
CONTROL BASE**

CONCRETE	RELEASE 28 day 15 MPa 35 MPa	AIR 6-8%	SLUMP 70mm	TYPE 50	DWG. NO. <b>W2-05</b>
VOLUME	SELF WEIGHT				
0.38 m <sup>3</sup>	910 kg	2010 lbs			
DATE: FEB. 2015	CODE: 0101	BY: CW	Rev. <b>O</b>		