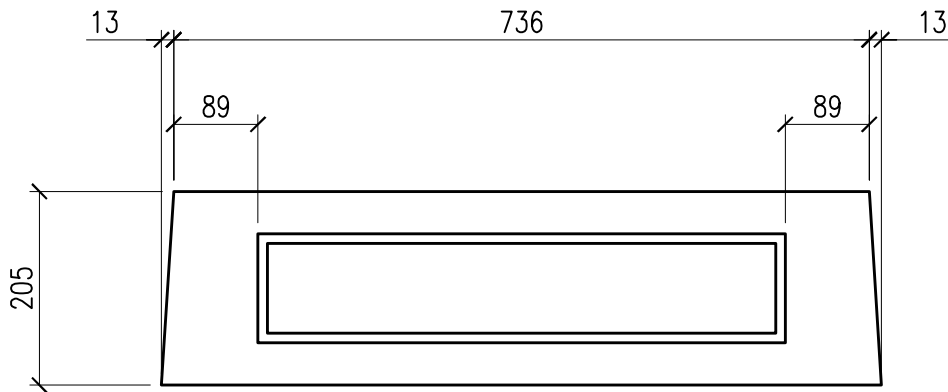
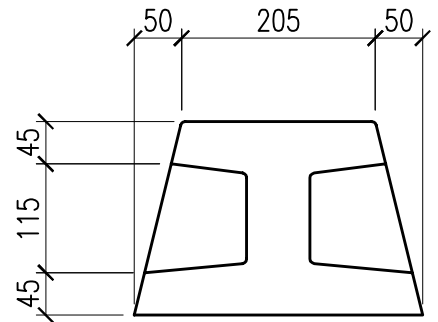


**PLAN VIEW**



**ELEVATION**



**SECTION**

**westcon**  
precast inc.

**205mm  
PROPANE BLOCK**

CONCRETE	RELEASE 28 day 15 MPa 35 MPa	AIR 6-8%	SLUMP 75mm	TYPE 50	DWG. NO. <b>W9-03</b>
VOLUME	SELF WEIGHT				
0.02 m <sup>3</sup>	55 kg	122 lbs			Rev.
DATE: FEB. 2015	CODE: 0602	BY: CW			