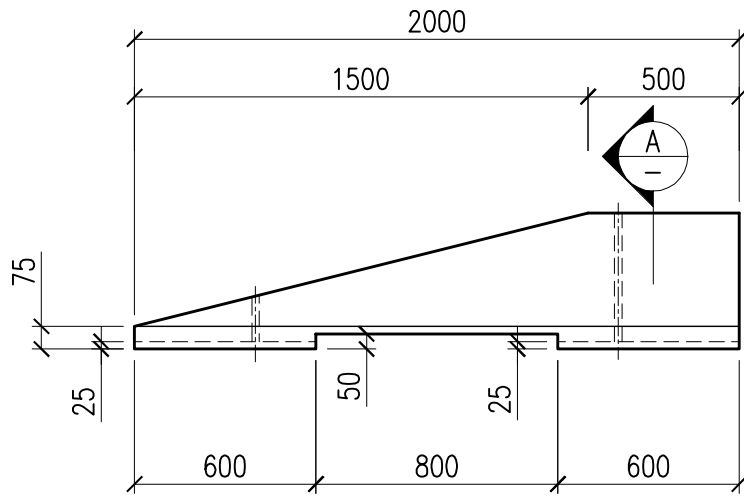
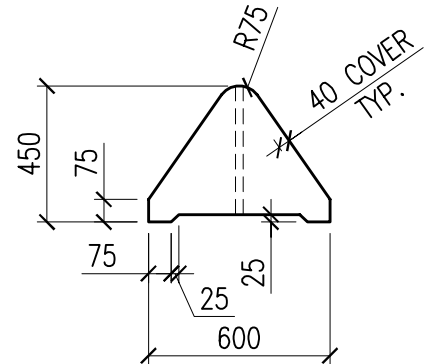


PLAN VIEW



ELEVATION



SECTION A

westcon
precast inc.

**LOW PROFILE
BARRIER
SLOPED PROFILE**

| | | | | | |
|---------------------|---------------------------------|-------------|---------------|------------|--------------------------|
| CONCRETE | RELEASE 28 day 15 MPa 35 MPa | AIR 6-8% | SLUMP 70mm | TYPE 50 | DWG. NO. W5-06 |
| VOLUME | SELF WEIGHT | | | | |
| 0.20 m ³ | 500 kg | 1100 lbs | | | |
| DATE: FEB. 2015 | CODE: 0101 | BY: CW | Rev. 0 | | |