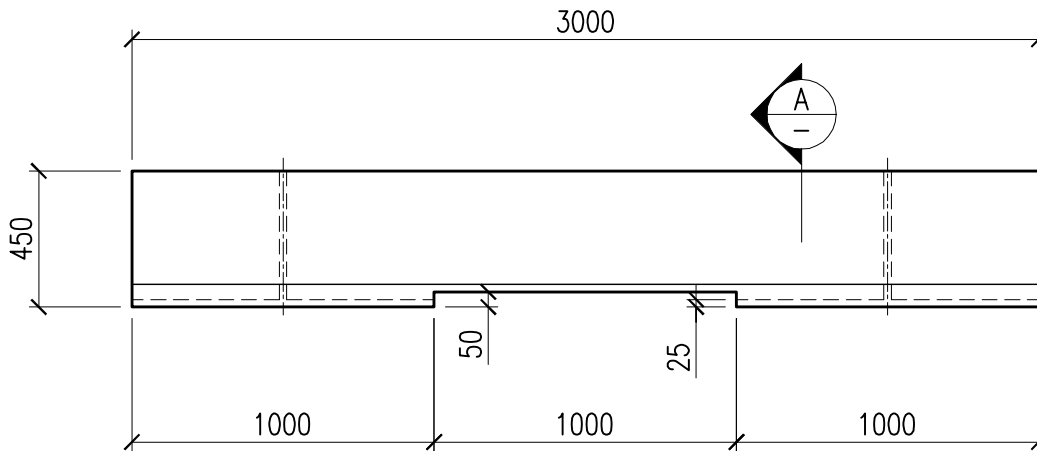
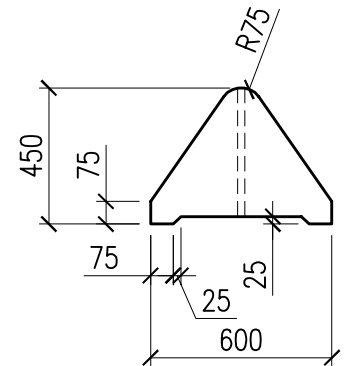


**PLAN VIEW**



**ELEVATION**



**SECTION A**

**westcon**  
precast inc.

**LOW PROFILE  
BARRIER**

CONCRETE	RELEASE 28 day 15 MPa 35 MPa	AIR 4-6%	SLUMP 100mm	TYPE 30	DWG. NO. <b>W5-05</b>
VOLUME	SELF WEIGHT				
0.48 m <sup>3</sup>	1200 kg	2600 lbs			Rev. <b>0</b>
DATE: FEB. 2015	CODE: 0101	BY: CW			