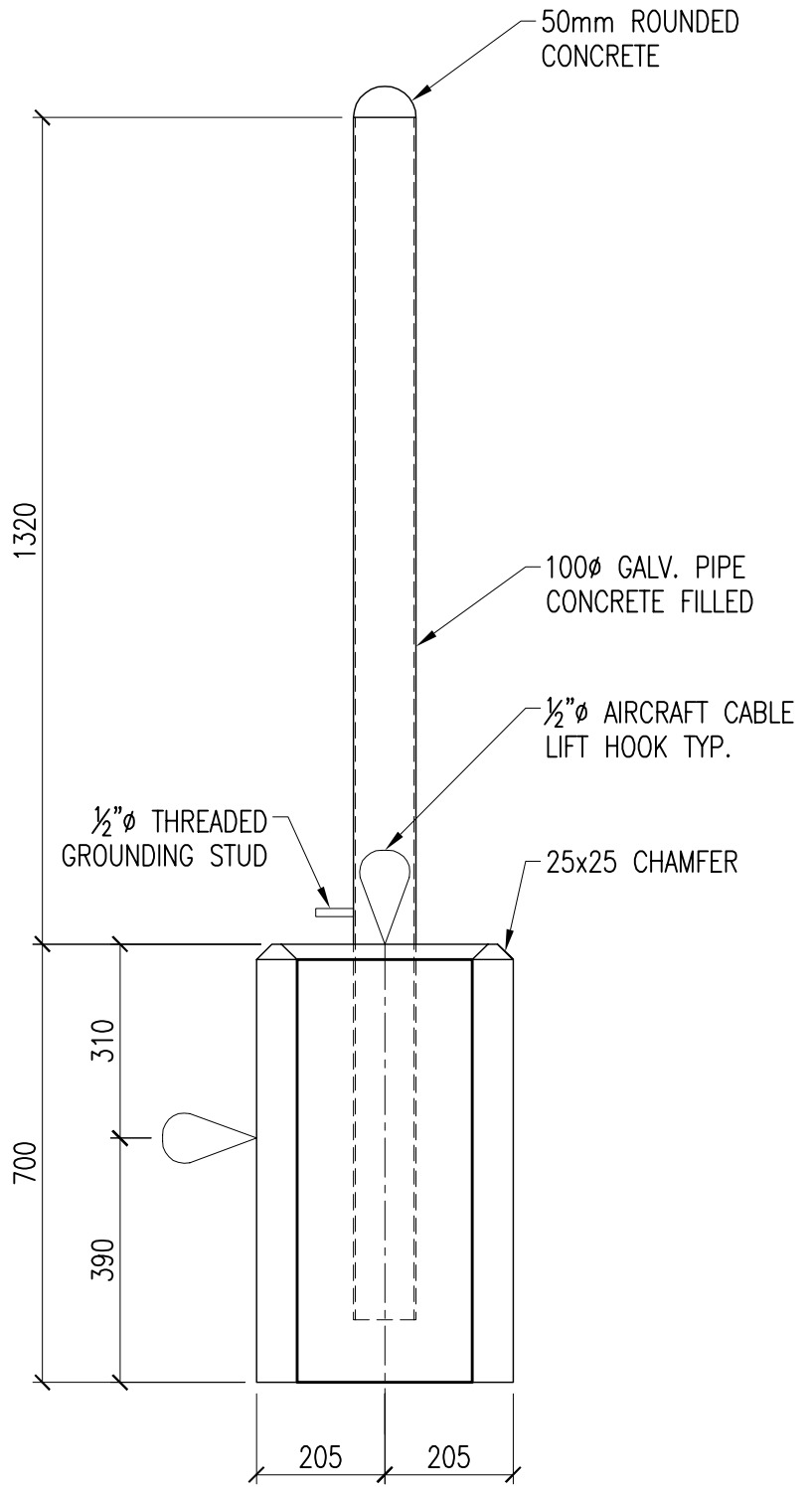


PLAN VIEW



ELEVATION

REFER TO FORTIS DRAWING

westcon
precast inc.

**410x410
GUARD POST**

CONCRETE	RELEASE 28 day 15 MPa 35 MPa	AIR 6-8%	SLUMP 75mm	TYPE 50	DWG. NO. W9-04
VOLUME	SELF WEIGHT				
0.12 m ³	300 kg	660 lbs			Rev.
DATE: FEB. 2015	CODE: 0400	BY: CW			