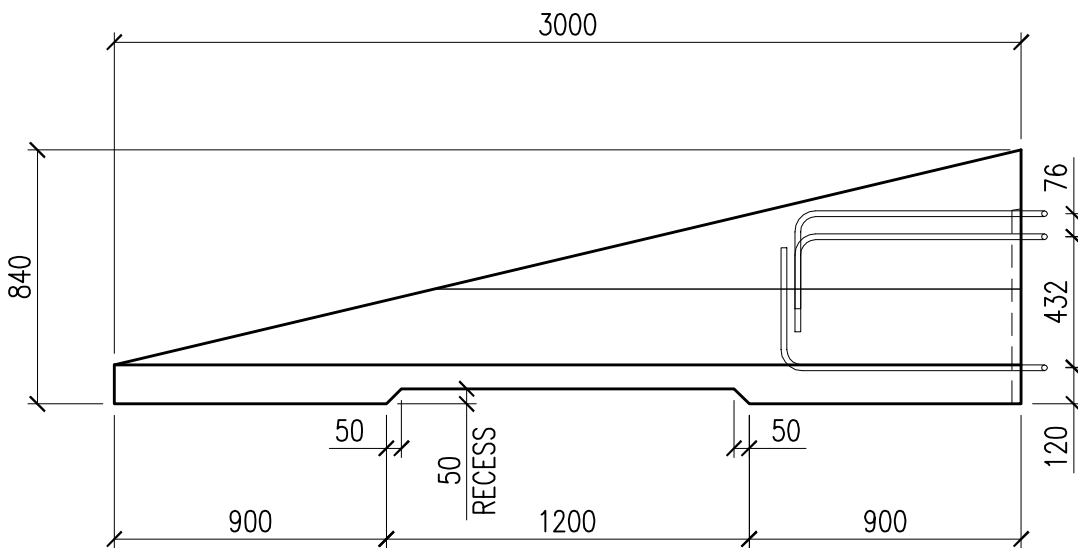
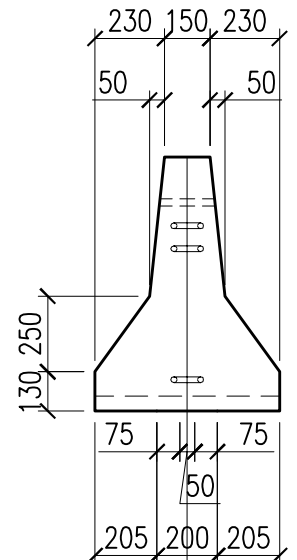


TOP VIEW



SIDE VIEW



END VIEW

A REVERSE BARRIER TRANSITION FOR MALE

westcon
precast inc.

**TRAFFIC BARRIER
F SHAPE LEVEL 3
TRANSITION**

CONCRETE	RELEASE 28 day 15 MPa 35 MPa	AIR 6-8%	SLUMP 75mm	TYPE 50	DWG. NO. W5-22
VOLUME	SELF WEIGHT				
0.80 m ³	1960 kg	4310 lbs			
DATE: FEB. 2015	CODE: ???	BY: CW	Rev. 0		