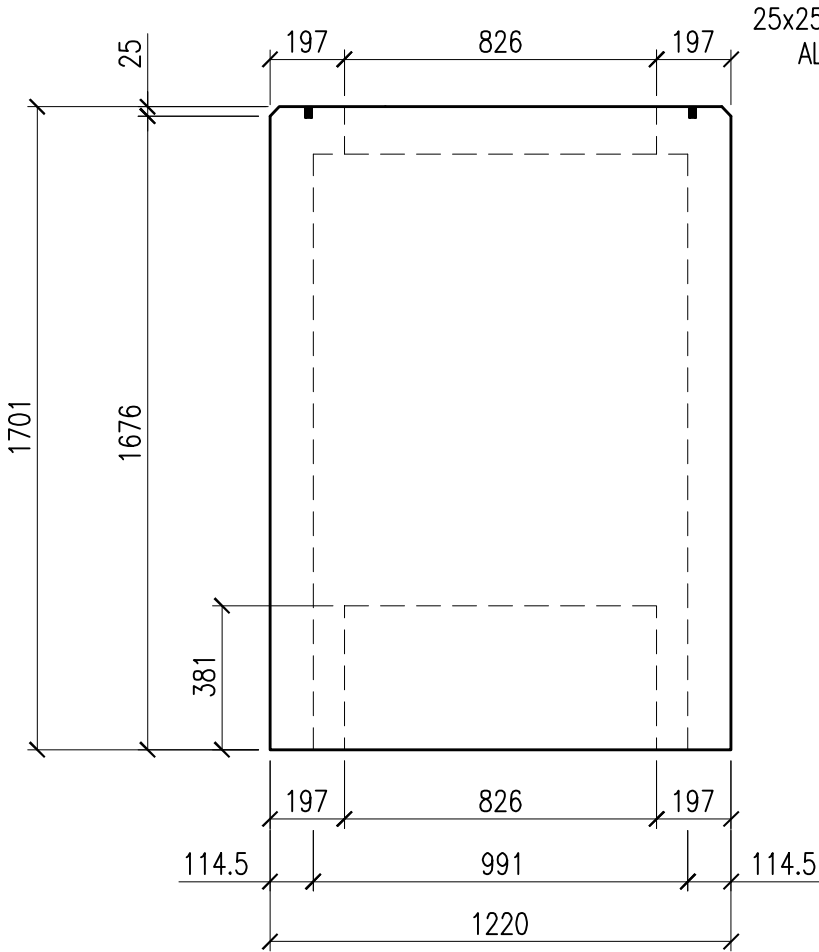
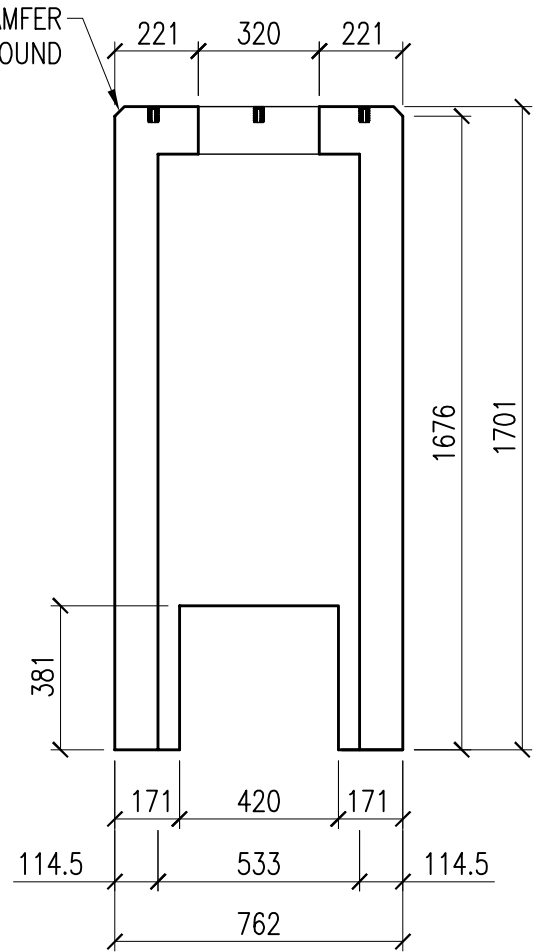


PLAN VIEW



ELEVATION



SECTION A

westcon
precast inc.

**TRAFFIC
CONTROL BASE**

CONCRETE	RELEASE 28 day 15 MPa 35 MPa	AIR 6-8%	SLUMP 70mm	TYPE 50	DWG. NO. W2-06
VOLUME	SELF WEIGHT				
0.71 m ³	1674 kg	3690 lbs			
DATE: FEB. 2015	CODE: 0101	BY: CW	Rev.		