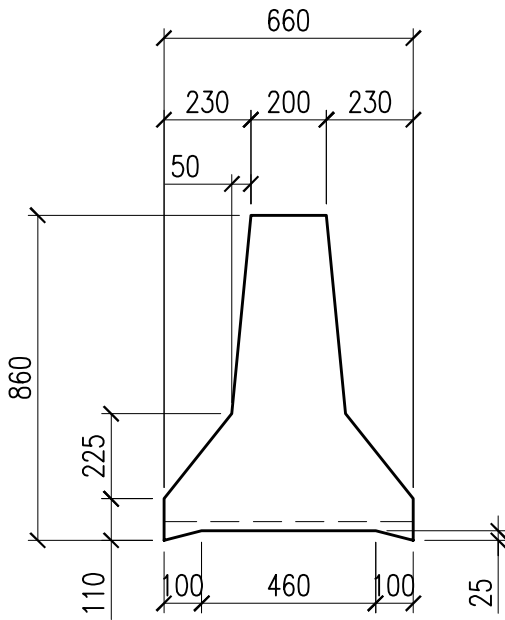
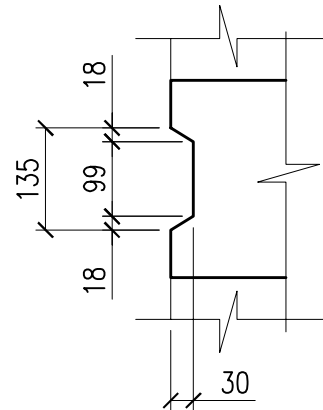


ELEVATION

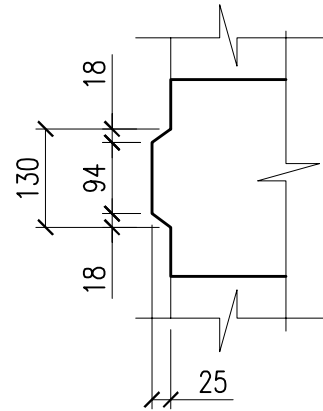
A REVERSE BARRIER
TRANSITION FOR MALE



TYP. END VIEW



KEYWAY DETAIL



KEYWAY DETAIL

westcon
precast inc.

**850 CITY BARRIER
STYLE MEDIAN
BARRIER**

CONCRETE	RELEASE 28 day 15 MPa 35 MPa	AIR 6-8%	SLUMP 75mm	TYPE 50
VOLUME	SELF WEIGHT			
0.894 m ³	2180 kg	4810 lbs		
DATE: FEB. 2015	CODE: 0920	BY: CW		

DWG. NO.
W5-21
Rev. **0**