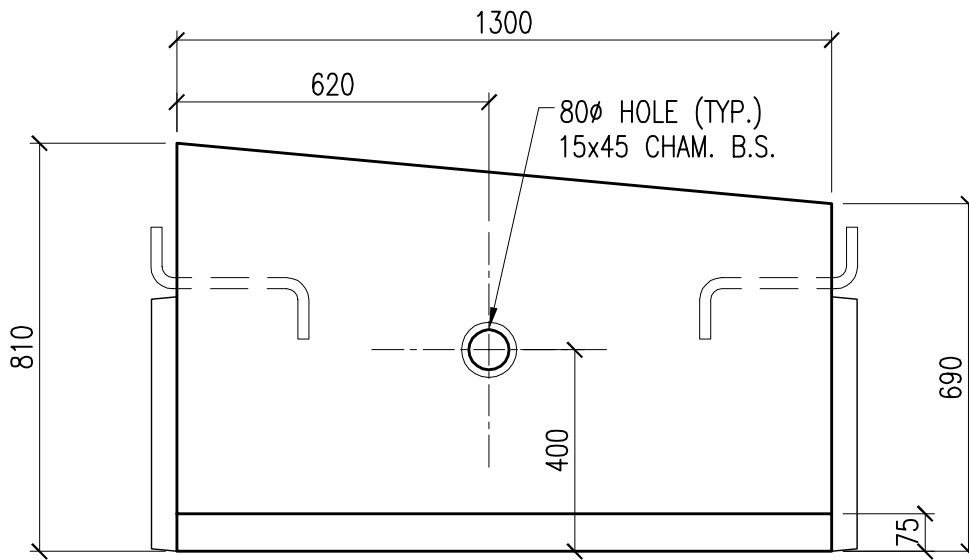


**PLAN VIEW**



**ELEVATION**

**westcon**  
precast inc.

**TRANSITION  
BARRIER 810mm TO  
690mm CTB-2H**

CONCRETE	RELEASE 28 day 15 MPa 35 MPa	AIR 6-8%	SLUMP 75mm	TYPE 50	DWG. NO. <b>W5-18</b>
VOLUME	SELF WEIGHT				
0.26 m <sup>3</sup>	635 kg	1400 lbs			
DATE: FEB. 2015	CODE: 0001	BY: CW			Rev. <b>0</b>