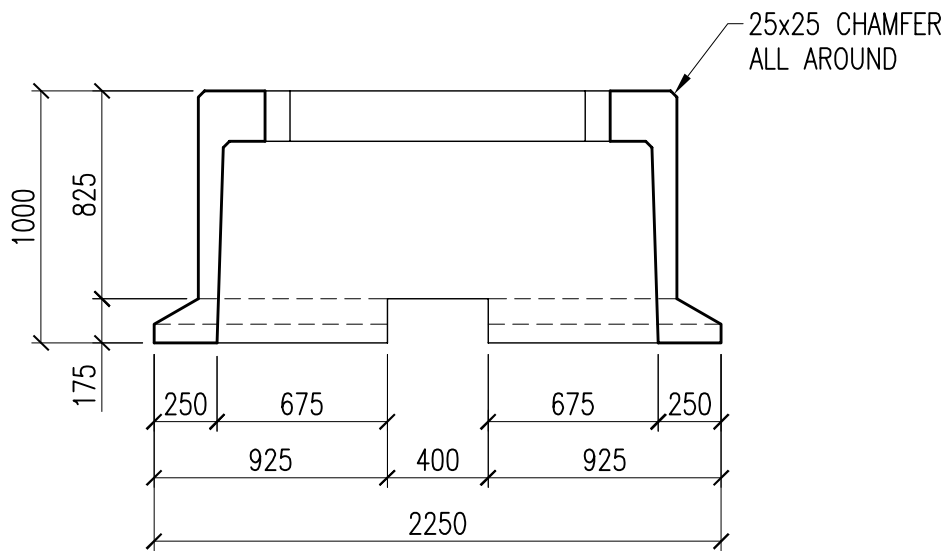


**PLAN**



**SECTION A**

**westcon**  
precast inc.

**TRANSFORMER  
BASE  
750-3000 kVA**

CONCRETE	RELEASE 28 day 15 MPa 35 MPa	AIR 6-8%	SLUMP 70mm	TYPE 50
VOLUME	SELF WEIGHT			
1.11 m <sup>3</sup>	2520 kg	5560 lbs		
DATE: FEB. 2015	CODE: 0100	BY: CW		

DWG. NO.  
**W2-04**

Rev. **1**