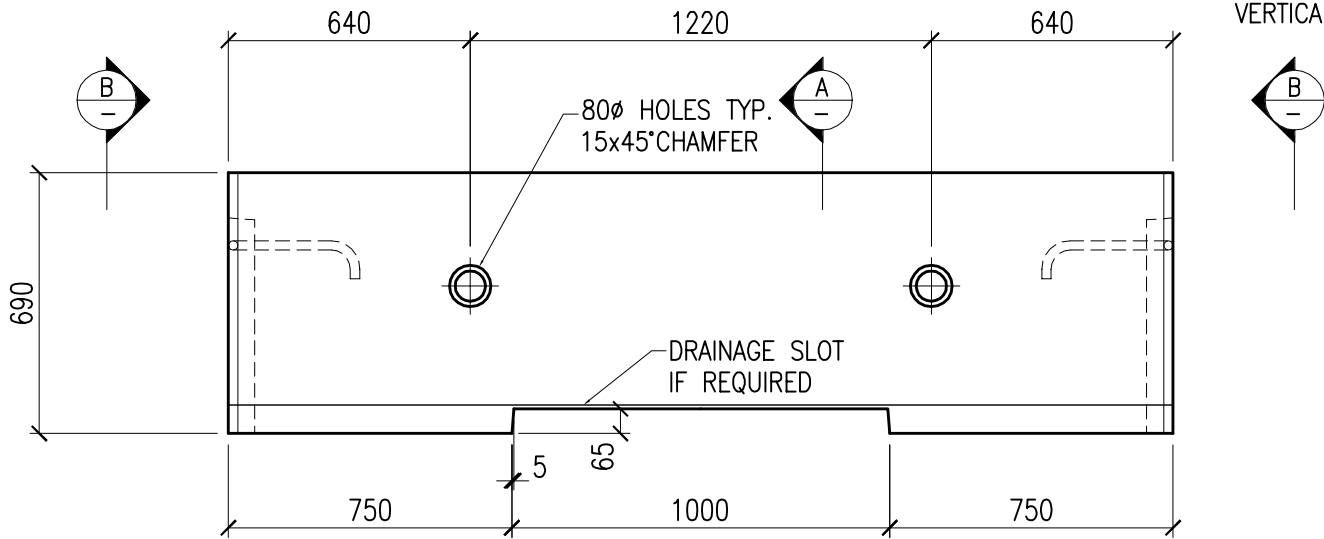
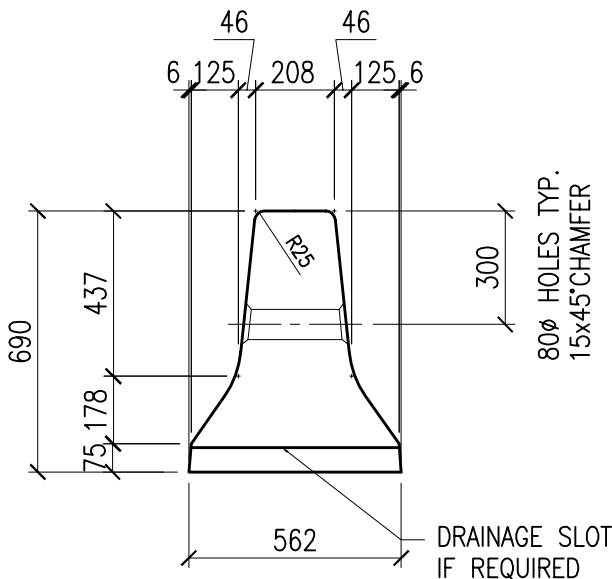


PLAN VIEW

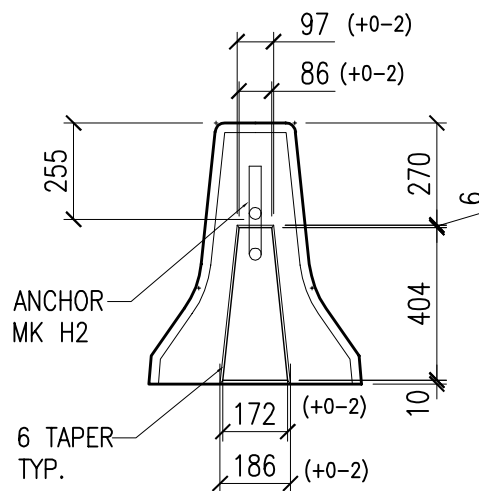
25mm CHAMFER
TYPICAL ALL
VERTICAL CORNERS



ELEVATION



SECTION A



END VIEW B

westcon
precast inc.

BARRIER
690-CRB-H
BC MoT

CONCRETE	RELEASE 28 day 15 MPa 35 MPa	AIR 6-8%	SLUMP 75mm	TYPE 50	DWG. NO. W5-11
VOLUME	SELF WEIGHT				
0.57 m ³	1400 kg	3100 lbs			Rev. O
DATE: FEB. 2015	CODE: ???	BY: CW			