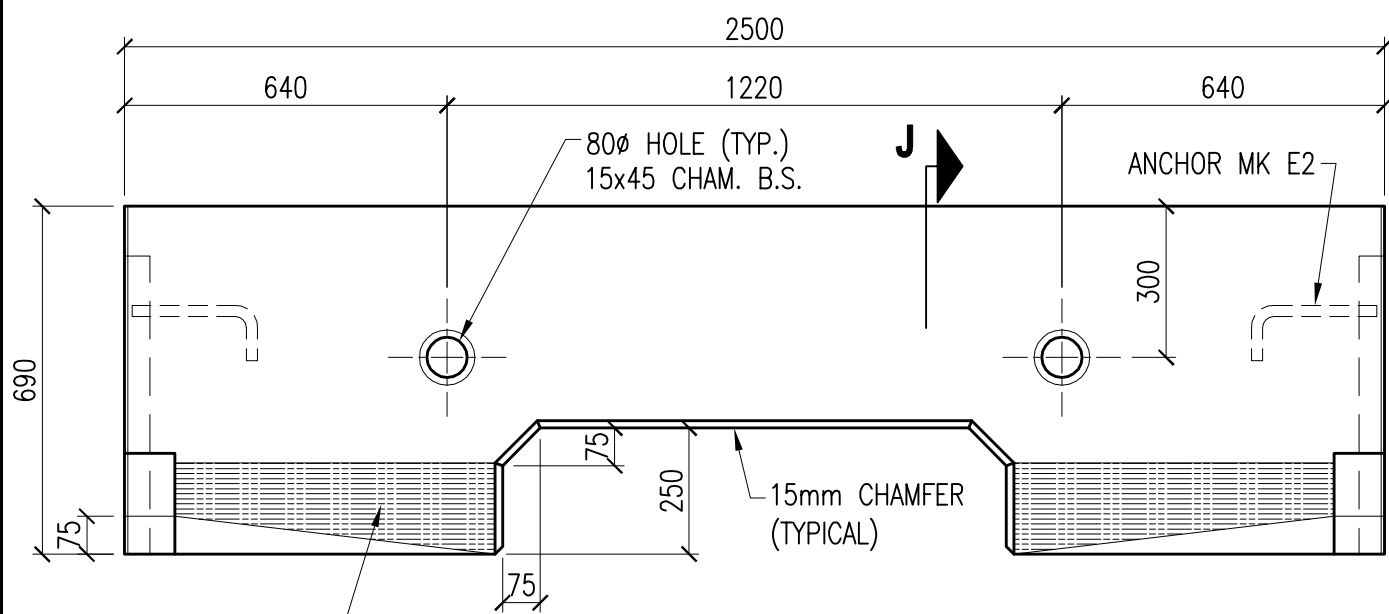
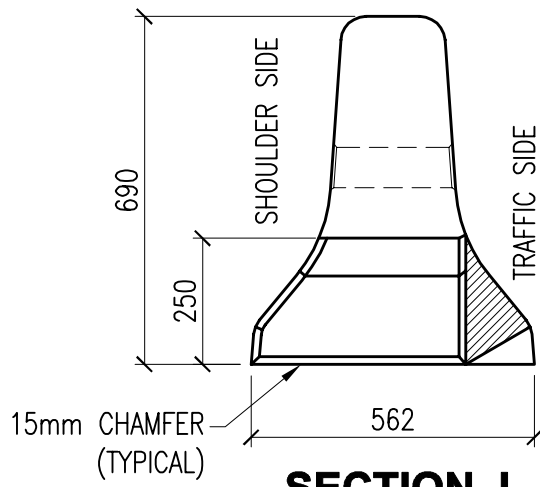


PLAN VIEW



ELEVATION TRAFFIC SIDE



SECTION J

SMOOTH TRANSITION TO STANDARD CRB-E CONFIGURATION

GENERAL NOTE:
 FIBRILATED FIBRE STRAND REINFORCED CONCRETE MAY BE SUBSTITUTED FOR WELDED WIRE MESH REINFORCED CONCRETE, ADDITIONAL BARS AND TIES WILL STILL APPLY.

	DRAINAGE BARRIER 690mm CDB-E DETAILS	CONCRETE	RELEASE 28 day 15 MPa 35 MPa	AIR 6-8%	SLUMP 75mm	TYPE 50	DWG. NO. W5-15
		VOLUME	SELF WEIGHT				
		0.40 m ³	1020 kg	2240 lbs			
		DATE: FEB. 2015	CODE: 0001	BY: CW		Rev. 0	