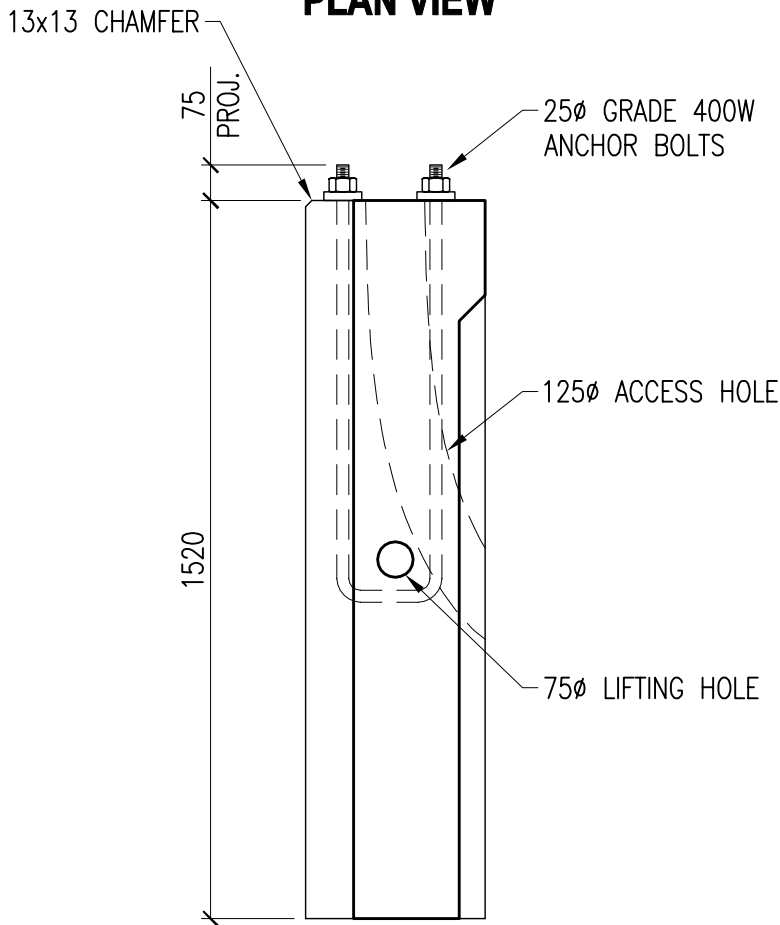


**PLAN VIEW**



**ELEVATION**

**westcon**  
precast inc.

**LIGHT POLE BASE**  
**407 x 380 x 1520**

CONCRETE	RELEASE 28 day 15 MPa 35 MPa	AIR 6-8%	SLUMP 70mm	TYPE 50
VOLUME	SELF WEIGHT			
0.22 m <sup>3</sup>	515 kg	1140 lbs		
DATE: FEB. 2015	CODE: 0400	BY: CW		

DWG. NO.  
**W4-06**  
Rev. **O**