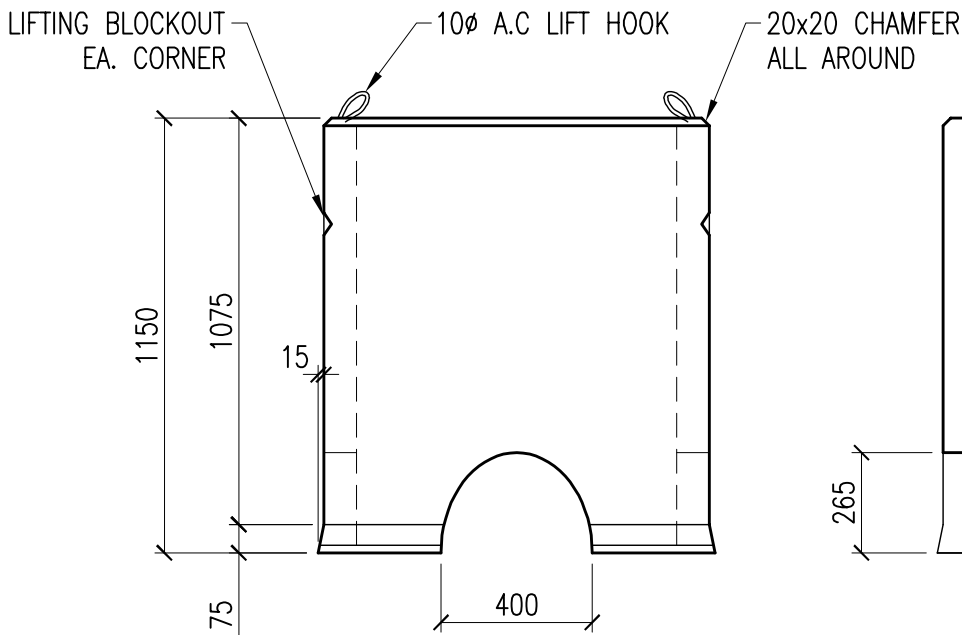
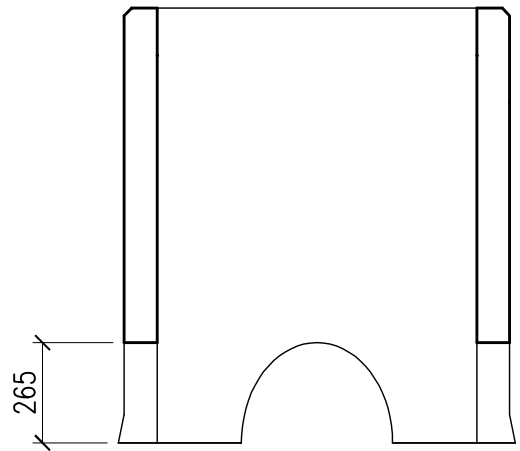


PLAN VIEW



ELEVATION



SECTION A

westcon
precast inc.

**4 WAY SINGLE
PHASE 200AMP
15kV S.C.B.**

CONCRETE	RELEASE 28 day 15 MPa 35 MPa	AIR 6-8%	SLUMP 70mm	TYPE 50	DWG. NO. W2-07
VOLUME	SELF WEIGHT				
0.51 m ³	1250 kg	2750 lbs			Rev. 0
DATE: FEB. 2015	CODE: 0100	BY: CW			