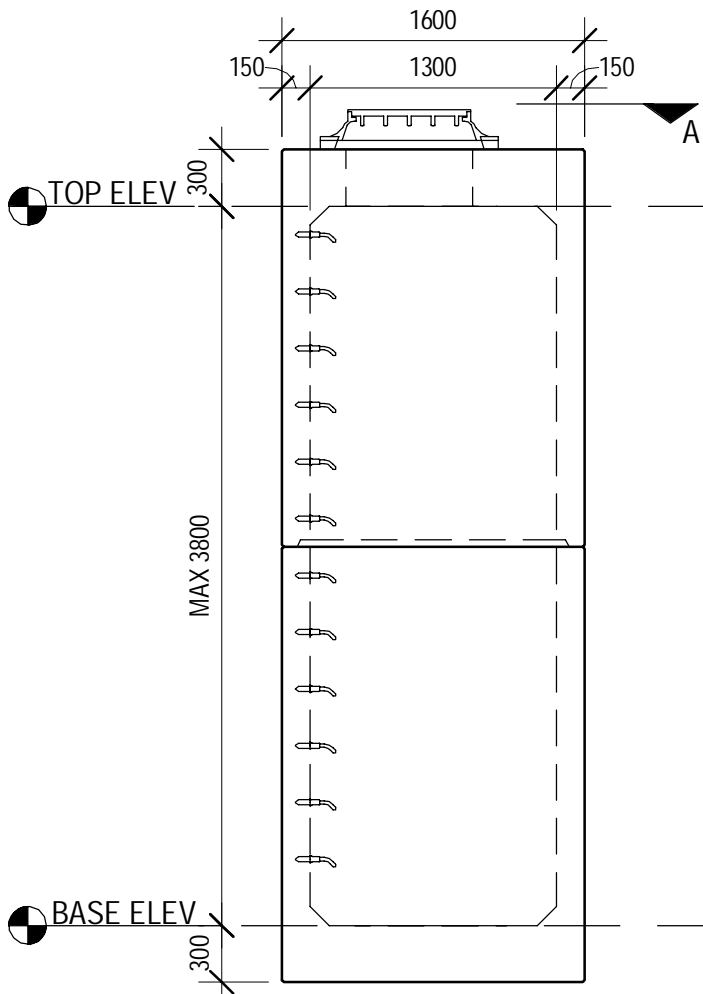


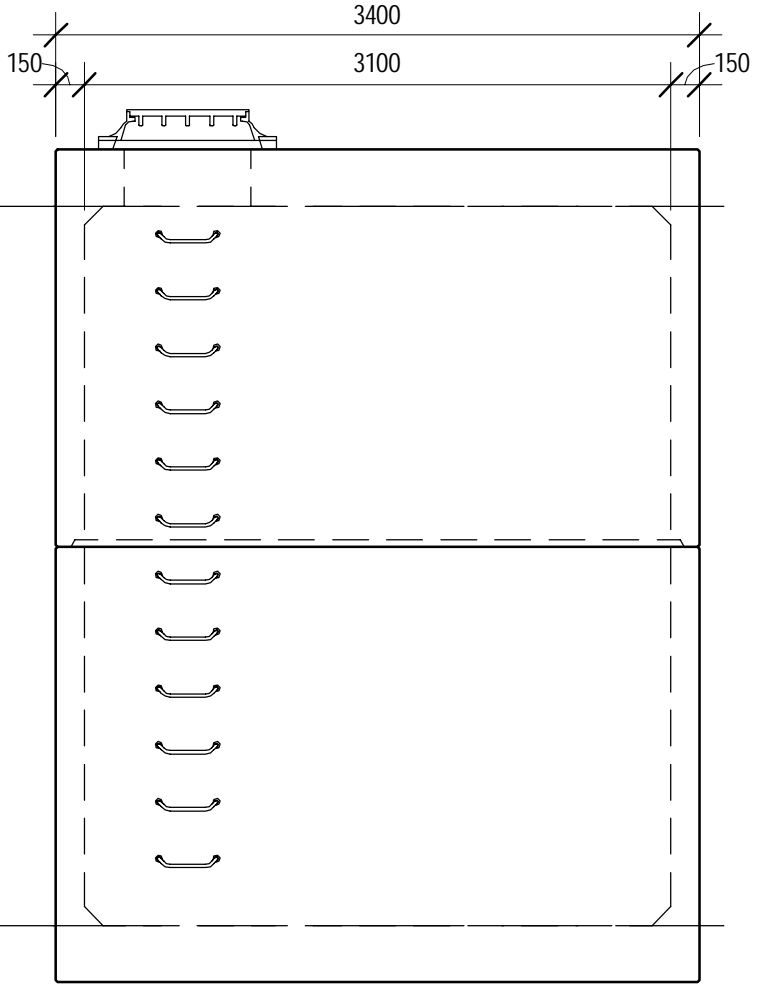
TOP VIEW A



ELEVATION



SIDE ELEVATION



FRONT ELEVATION



VAULT
1300 x 3100

CONCRETE	RELEASE 15 MPa	28 day 35 MPa	AIR 5-8%	SLUMP 70mm	TYPE 50	DRW. NO. W1-16
VOLUME	SELF WEIGHT					
4.52m ³	11075 kg	24370 lbs				
DATE: APRIL 2022	CODE: 0001	BY: AB	Rev. A			