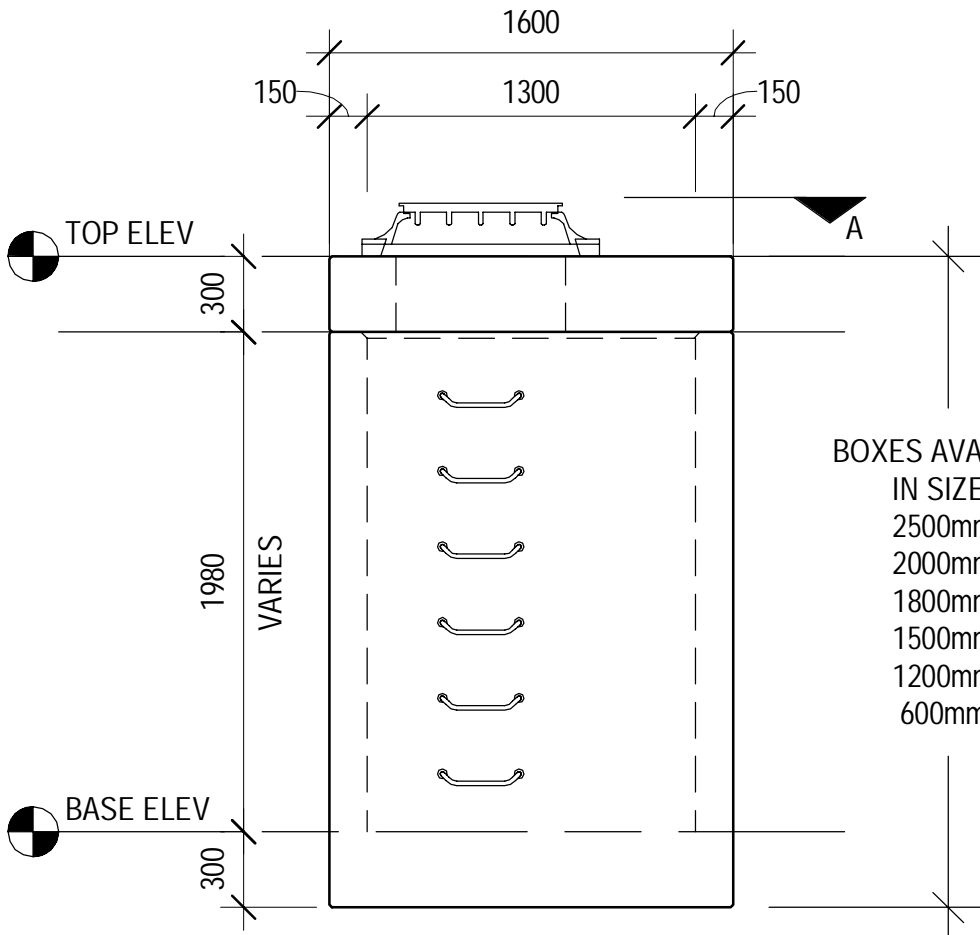


TOP VIEW A



ELEVATION



FRONT ELEVATION

BOXES AVAILABLE
IN SIZES
2500mm
2000mm
1800mm
1500mm
1200mm
600mm



VAULT
1300 x 1300 x 2500 ID

CONCRETE	RELEASE 15 MPa	28 day 35 MPa	AIR 5-8%	SLUMP 70mm	TYPE 50	DRW. NO. W1-15
VOLUME		SELF WEIGHT				
3.03m ³		7425 kg		16340 lbs		Rev. A
DATE: APRIL 2022	CODE: 0002	BY: AB				