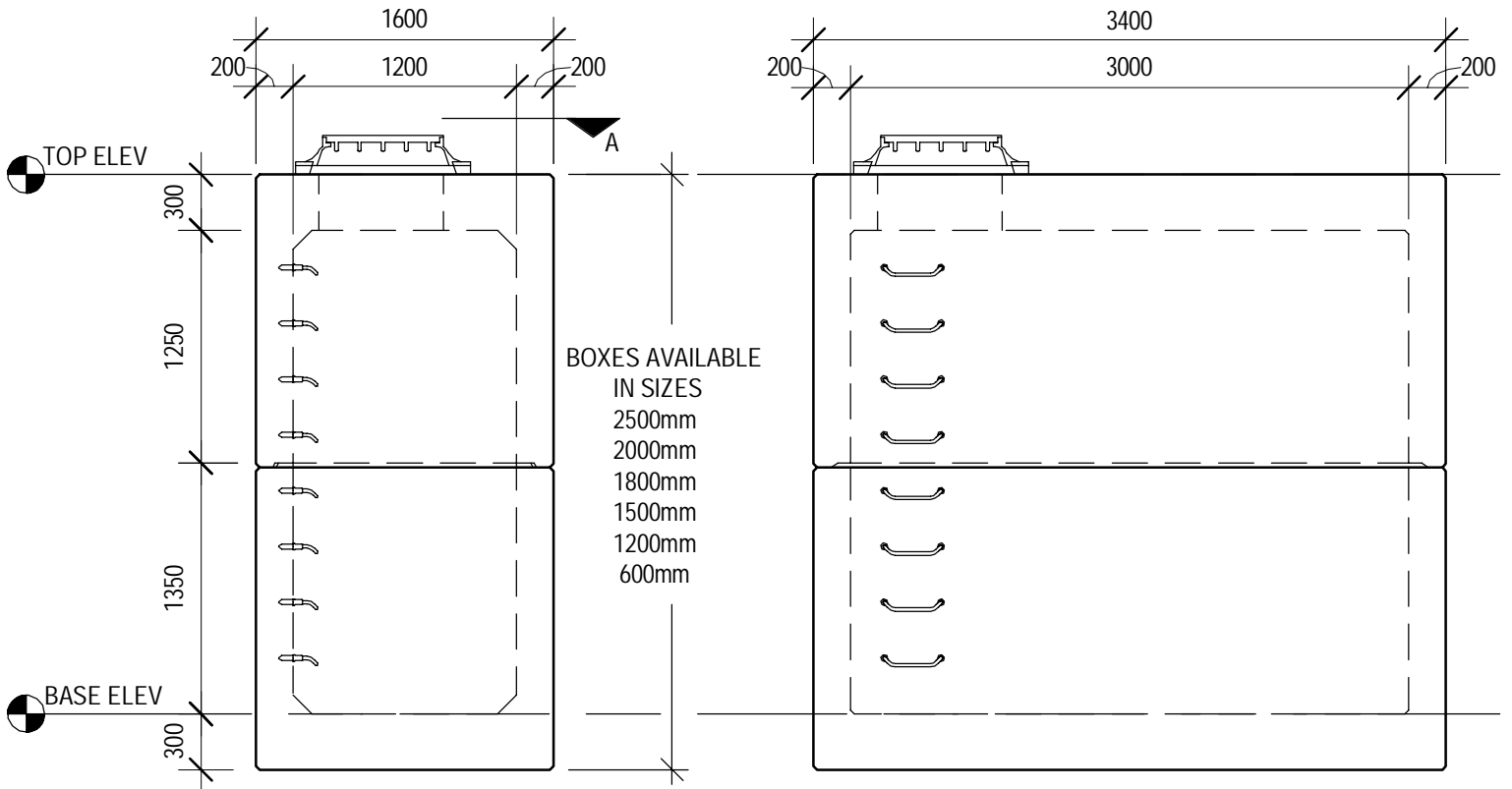


TOP VIEW A



ELEVATION



SIDE ELEVATION

FRONT ELEVATION



VAULT
1200 x 3000 x 2000 ID

CONCRETE	RELEASE 15 MPa	28 day 35 MPa	AIR 5-8%	SLUMP 70mm	TYPE 50	DRW. NO. W1-14
VOLUME	SELF WEIGHT					
5.35m ³	13110 kg	28840 lbs				
DATE: APRIL 2022	CODE: 0001	BY: AB	Rev. A			