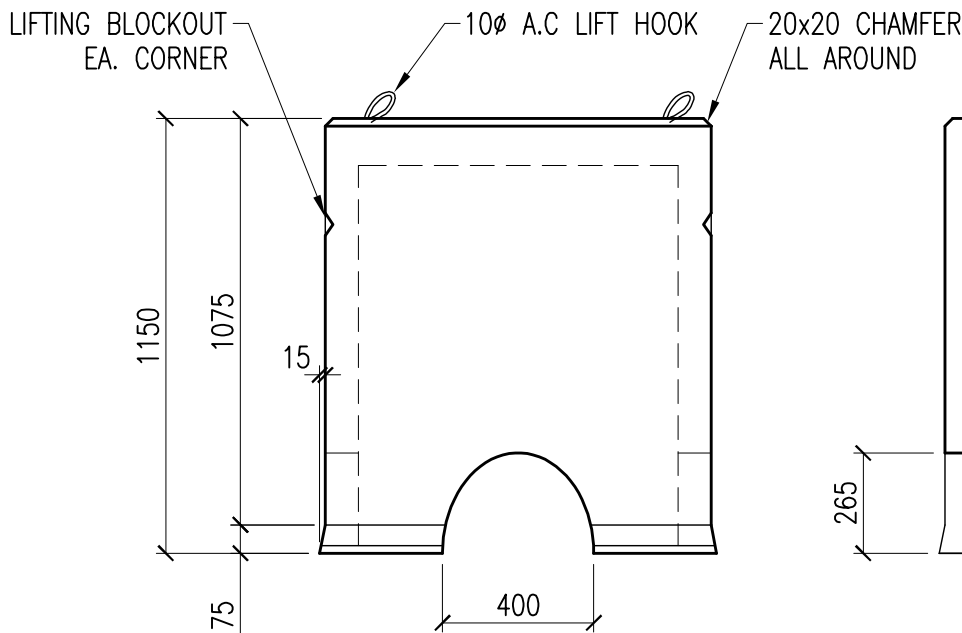
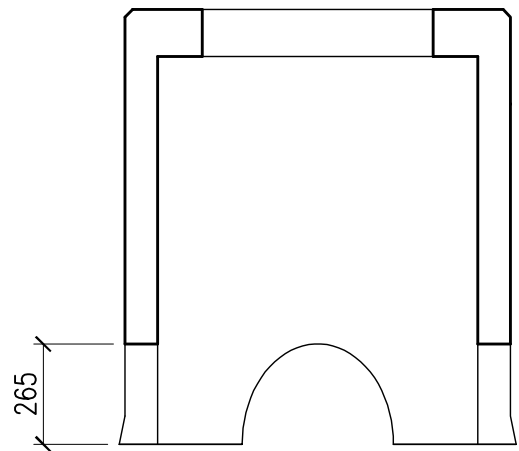


**PLAN VIEW**



**ELEVATION**



**SECTION A**

**westcon**  
precast inc.

**TRANSFORMER  
BASE 25-167 kVA**

CONCRETE	RELEASE 28 day 15 MPa 35 MPa	AIR 6-8%	SLUMP 70mm	TYPE 50
VOLUME	SELF WEIGHT			
0.4 m <sup>3</sup>	940 kg	2070 lbs		
DATE: FEB. 2015	CODE: 0101	BY: CW		

DWG. NO.  
**W2-01**  
Rev.