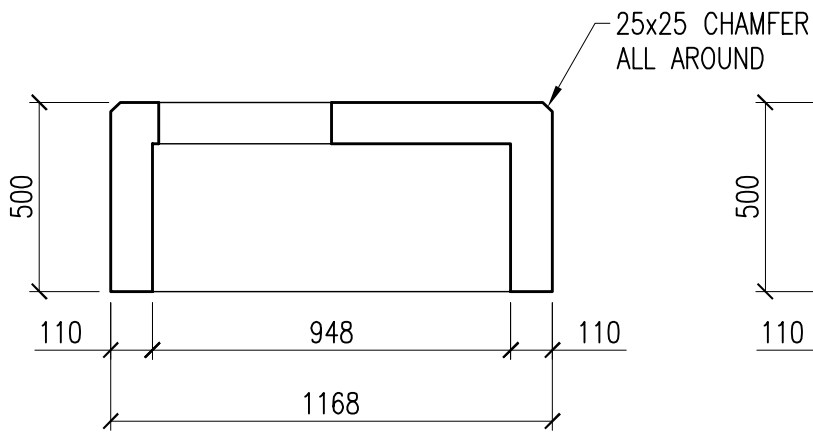
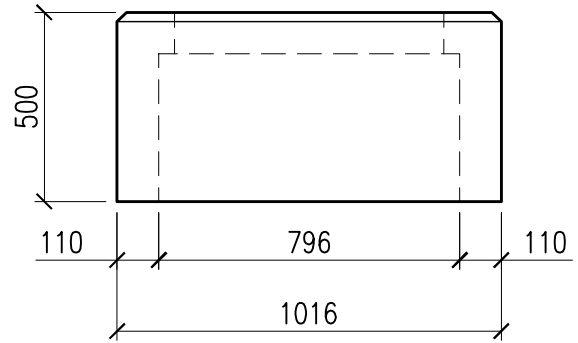


PLAN VIEW



SECTION A



SIDE VIEW

westcon
precast inc.

**TRANSFORMER
BASE 25-167kVA
(SHALLOW)**

CONCRETE	RELEASE 28 day 15 MPa / 35 MPa	AIR 6-8%	SLUMP 70mm	TYPE 50
VOLUME	SELF WEIGHT			
0.25 m ³	550 kg	1210 lbs		
DATE: FEB. 2015	CODE: 0100	BY: CW		

DWG. NO.
W2-00
Rev. **O**